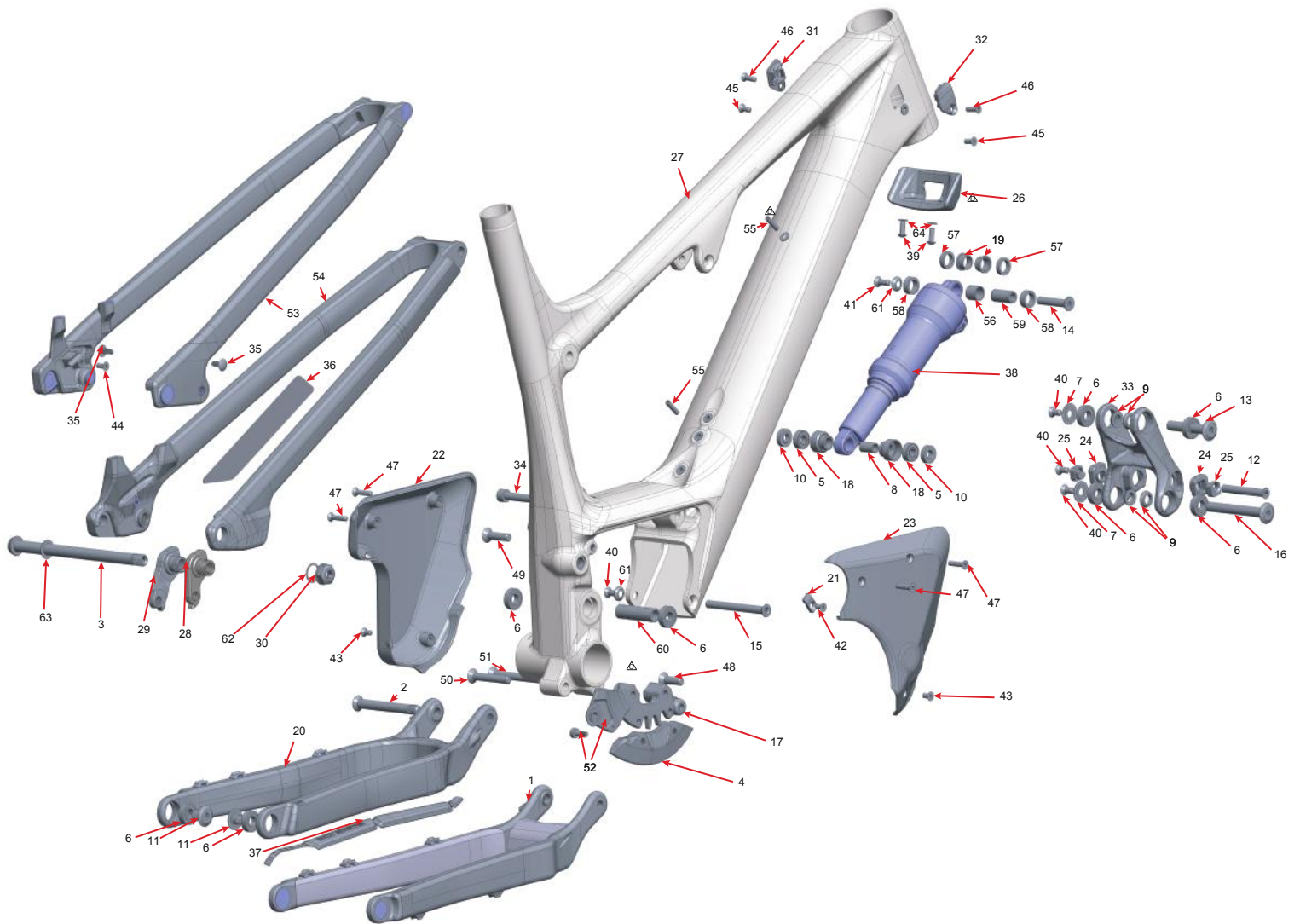


MY20 MY19 MY18

Altitude Powerplay Carbon



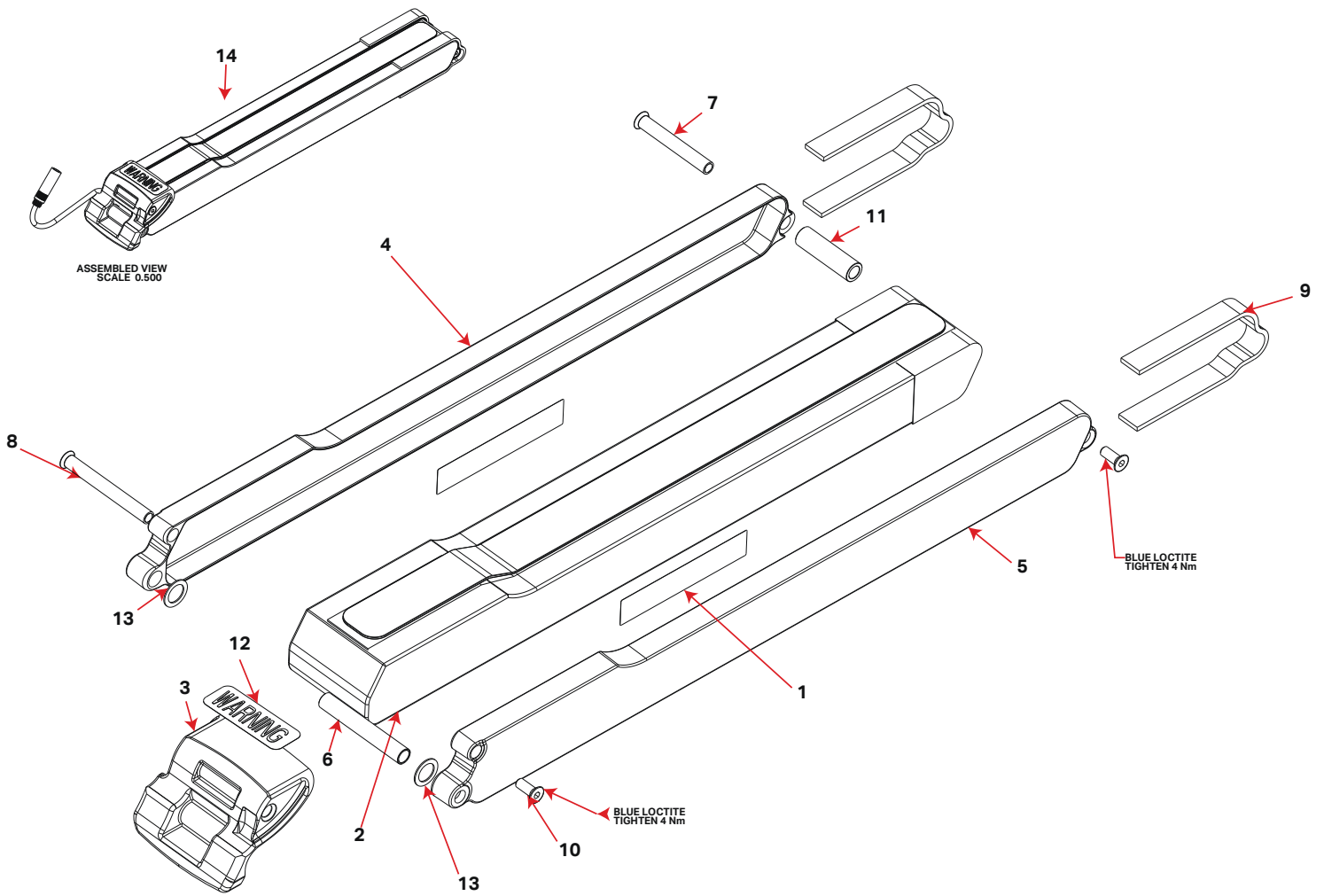
2020_2019_2018 ALTITUDE POWERPLAY CARBON

#	QTY	ITEM	PART NO.	REVISION	DESCRIPTION
			1810004		ALTITUDE LINK WITH BEARING KIT
33	1	LINK	1097182		ALTITUDE LINK, 85MM LONG, RIDES, AL7075-T6, HARD BLACK ANO
6	4	BEARING	1807042	NIL	ENDURO BEARING 6900 2RS MAX TYPE, 22X10X6 SIZE
			1818012		HANGER KIT SHIMANO DIRECT MOUNT
29	1	HANGER	1099041	NIL	REAR DER. HANGER, EXT THREAD, SHIMANO DIRECT MOUNT
30	1	HANGER NUT	1099033	NIL	HANGER NUT, M16X1, 8MM HEX
62	1	WASHER	1808029	NIL	WASHER, 16x20x0.5MM, 304 SS
			1818013		KIT STANDARD HANGER
28	1	HANGER	1099031	A	REAR DER. HANGER, EXT THREAD, STD MOUNT
30	1	HANGER NUT	1099033	NIL	HANGER NUT, M16X1, 8MM HEX
62	1	WASHER	1808029	NIL	WASHER, 16x20x0.5MM, 304 SS
			1810005		PIVOT BOLT KIT
2	1	AXLE, MP	1807029	A	MP AXLE, M10X1.25, L:84mm, AL7075-T6 HARD BLACK ANO
7	2	BEARING CAP	1807043	NIL	6900 BEARING CAP, AL 7075 T-6, HARD BACK ANO
9	4	BEARING SPACER	1807044	NIL	6900 BEARING SPACER
11	2	BOLT	1807046	NIL	BOLT, 10MM X 15MM, M10X1 EXT., AL 7075 T-6 HARD BLACK ANO
12	1	BOLT	1807049	C	CSUNK BOLT, 8MM X 57MM X M6 INT.
13	1	BOLT	1807060	NIL	BOLT, 10MM X 54MM, M6X1 INT., AL 7075-T6, HARD BLACK ANO
16	1	BOLT, M10X78	1807061	NIL	BOLT, 10MM X 78MM, M6X1 INT., AL 7075 T-6, HARD BLACK ANO
40	4	SCREW M6x12	180566-012	NIL	FLAT HEAD CSUNK SOCKET SCREW, M6-1.0 X 12mm, A4/316 SS, 55060.060.012
61	2	WASHER	1807064	NIL	CSUNK WASHER, (for M6 screw) ID:6 x OD:14.6 x 3.25mm THK.
41	1	SCREW M6x16	180566-016	NIL	FLAT HEAD CSUNK SOCKET SCREW, M6-1.0 X 16mm, A4/316 STAINLESS STEEL
14	1	BOLT SHK.	1807062	G	SHOCK BOLT, SOLID, OD:8MM, L: 41MM
60	1	SPACER, MP	1807038	B	MAIN PIVOT CENTER SPACER, ID:10, L:48
			1819029		POWERPLAY PROTECTION KIT
36	1	PROTECTOR	3708008	D	SEATSTAY PROTECTOR
37	1	PROTECTOR	3708035	NIL	MULTIBIKE CHAINSTAY PROTECTOR
			1817011		AXLE KIT BOOST
3	1	AXLE, REAR	3227009	C	REAR AXLE 12X 173MM, HARD BLACK ANO
63	1	WASHER	3227006	B	WASHER, 12x19x0.5MM, 304 SS
			1818003		SHOCK BEARING EYELET KIT
5	2	BEARING	1807036	NIL	ENDURO 698 LLU MAX 19X8X6
8	1	BEARING SLEEVE	1807028	A	BEARING EYELET SLEEVE FOR SR 19X8X6 CUP
10	2	BEARING SPACER	1807099	C	EYELET BEARING SPACER, 5.3MM THK, FOR 40MM LINK WIDTH
18	2	BRG CUP	1807026	E	BEARING EYELET FOR SR 19X8X6 BRG
			1817017		PIVOT BEARING KIT
6	8	BEARING	1807042	NIL	ENDURO BEARING 6900 2RS MAX TYPE, 22X10X6 SIZE
			1817023		HEAD TUBE PANEL KIT
31	1	HT PANEL LEFT	1097136	B	HT PORT PANEL, LEFT
32	1	HT PANEL RIGHT	1097140	C	HT PORT PANEL, RIGHT
45	2	SCREW, MSX12	1808036	NIL	CSUNK SOCKET SCREW, M5-0.8x12mm, HARD BLACK ANODIZED ALU
46	2	SCREW, MSX16	1806009	NIL	FLAT HEAD CSUNK SOCKET SCREW, M5-0.8 X 16mm, ALUMINIUM
			1810009		RIDE 9 FLIP CHIP KIT
24	2	FLIP CHIP	1807003	NIL	FLIP CHIP, OUTSIDE, AL7075, BLACK ANODIZE.
25	2	FLIP CHIP	1807004	A	FLIP CHIP, INSIDE, AL7075, BLACK ANODIZE.
			1998063		SIDE MOTOR COVER KIT RIGHT
23	1	COVER, RIGHT	1997017	E	POWERPLAY MOTOR COVER, RIGHT
43	1	SCREW, MSX10	1808152	NIL	CSUNK SOCKET SCREW, M5-0.8x10MM, BLACK STAINLESS STEEL
47	2	SCREW, MSX22	1808137	NIL	CSUNK SOCKET SCREW, M5-0.8x22MM, BLACK STAINLESS STEEL
			1998062		SIDE MOTOR COVER KIT LEFT
22	1	COVER, LEFT	1997019	D	POWERPLAY MOTOR COVER, LEFT
43	1	SCREW, MSX10	1808152	NIL	CSUNK SOCKET SCREW, M5-0.8x10MM, BLACK STAINLESS STEEL
47	2	SCREW, MSX22	1808137	NIL	CSUNK SOCKET SCREW, M5-0.8x22MM, BLACK STAINLESS STEEL
			1997093		BASH GUARD KIT
4	1	BASH GUARD	1997058	A	RMB BASH GUARD
52	2	SCREW, SHOULDER	1807125	NIL	CUSTOM HEX SOC. HD. SHLD. SCR., 303 SS, M5 6x8
			1818009		MOTOR COVER BOLT KIT
43	2	SCREW, MSX10	1808152	NIL	CSUNK SOCKET SCREW, M5-0.8x10MM, BLACK STAINLESS STEEL
47	4	SCREW, MSX22	1808137	NIL	CSUNK SOCKET SCREW, M5-0.8x22MM, BLACK STAINLESS STEEL
			1819031		POWERPLAY RUBBER BUMPER KIT
26	1	FORK BUMPER	1999008	A	POWERPLAY RUBBER BUMPER
64	2	WASHER	1809013	NIL	WASHER, 5 X 10 X 1MM, STAINLESS STEEL
39	2	SCREW	180574-014	NIL	DOME HEAD SCREW, MSX14MM, SS
			1819032		FRAME HARDWARE (BATTERY)
15	1	BOLT, BATTERY	1807127	NIL	E-MTB BATTERY BOLT, 8MM x 81MM, AL7075-T6 HARD BLACK ANO
40	1	SCREW M6x12	180566-012	NIL	FLAT HEAD CSUNK SOCKET SCREW, M6-1.0 X 12mm, A4/316 SS, 55060.060.012
55	2	SET SCREW	1808024	NIL	SET SCREW, M5 x 0.8 x 20MM, STAINLESS STEEL 316.
61	1	WASHER	1807064	NIL	CSUNK WASHER, (for M6 screw) ID:6 x OD:14.6 x 3.25mm THK.
			1819033		FRAME HARDWARE (MOTOR)
34	1	M6x6 bolt	1808023	NIL	SOCKET HEAD CAP SCREW, M6X6, stainless steel
44	1	SCREW, MSX12	1807152	NIL	CSUNK SOCKET SCREW, M5-0.8x12mm, stainless steel
49	1	SCREW, MBX30	1807121	NIL	CSUNK SOCKET SCREW, M8-1.25x30mm, stainless steel
51	1	SCREW, MBX65	1807122	NIL	CSUNK SOCKET SCREW, M8-1.25x65mm, stainless steel
			1819034		CHAIN GUIDE KIT
17	1	BRACE, MOTOR	3399001	NIL	LOWER CHAIN GUIDE 34T
48	1	SCREW, MBX25	1807123	NIL	CSUNK SOCKET SCREW, M8-1.25x25mm, stainless steel
50	1	SCREW, MBX50	1807124	NIL	CSUNK SOCKET SCREW, M8-1.25x50mm, stainless steel
			1819035		MOTOR CABLE CLAMP KIT DRIVE SIDE
21	1	CLAMP	1997081	A	CABLE CLAMP, M5 CSUNK, AL6061-T6, HARD BLACK ANO.
42	1	SCREW, MSX10	180475-010	NIL	CSUNK SOCKET SCREW, M5-0.8x10mm, zinc plated 10.9 steel

Sold as a kit only. Individual part not sold separately

MY20

Powerplay Battery Bom



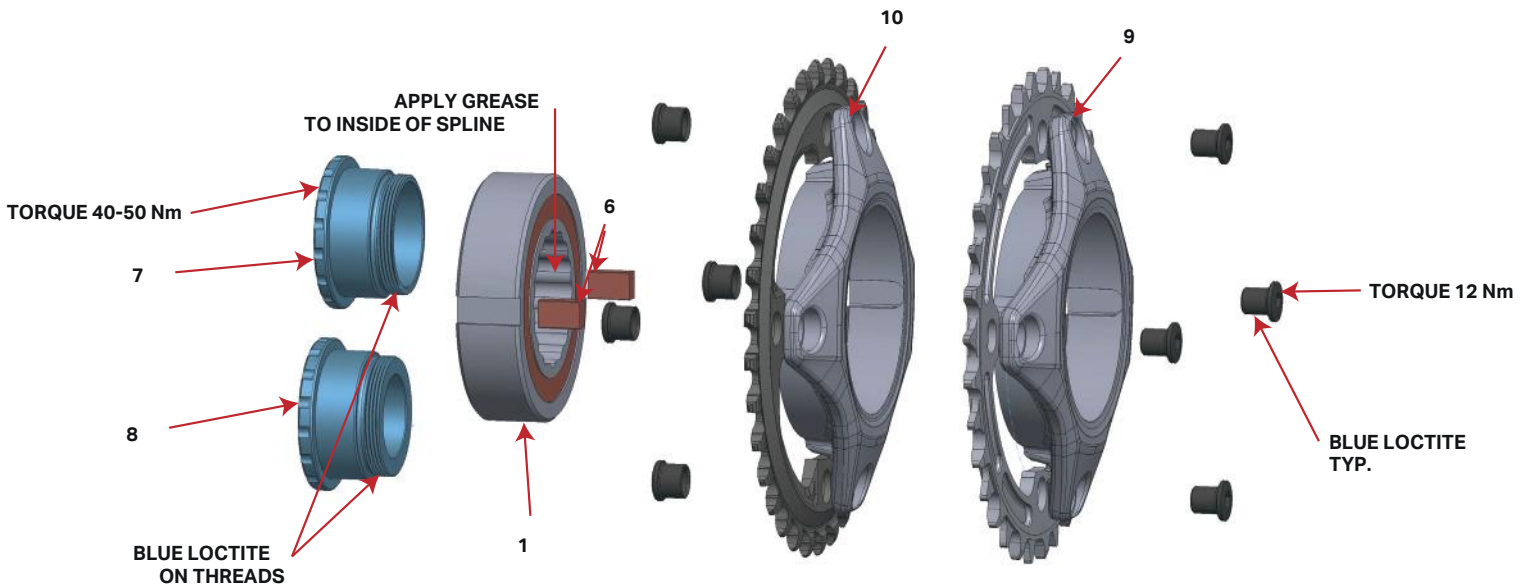
Powerplay battery BOM

#	QTY	ITEM	PART NO.	REVISION	DESCRIPTION
			1818016		KIT HARDWARE BATTERY POWERPLAY
1	2	ADHESIVE TAPE	1807159	NIL	ADHESIVE BOTH SIDE TAPE 3/4"
3	1	BATTERY, CAP	1997063	D	BATTERY CAP
4	1	BATTERY, COVER LT	1997060	A	BATTERY COVER, LEFT
5	1	BATTERY, COVER RT	1997061	A	BATTERY COVER, RIGHT
6	1	BATTERY, PIN	1997062	B	BATTERY PIN, 68mm, 6061-T6, hard black anodize
7	1	BOLT, SLEEVE 58	1807139	B	SLEEVE BOLT, M8 X 58mm ALLOY 7075-T6.
8	1	BOLT, SLEEVE 72	1807141	A	SLEEVE BOLT, M8 X 72mm. ALLOY 7075-T6.
9	2	FOAM	1808044	A	BATTERY NOISE CANCELING FOAM
10	2	SCREW, M6	1807120	NIL	FLAT HEAD C'SUNK SOCKET SCREW, M6-1.0 X 16mm, A4/316 SS WITH BLUE LOCTITE
11	1	SPACER, BATTERY	1997064	A	BATTERY SLEEVE SPACER, 44MM, 6061-T6, HARD BLACK A NODIZE
12	1	WARNING STICKER	1708020	NIL	BATTERY MANIPULATION WARNING STICKER
13	2	WASHER	1808054	A	NYLON WASHER

Sold as a kit only. Individual part not sold separately

MY20

Powerplay Clutch bearing



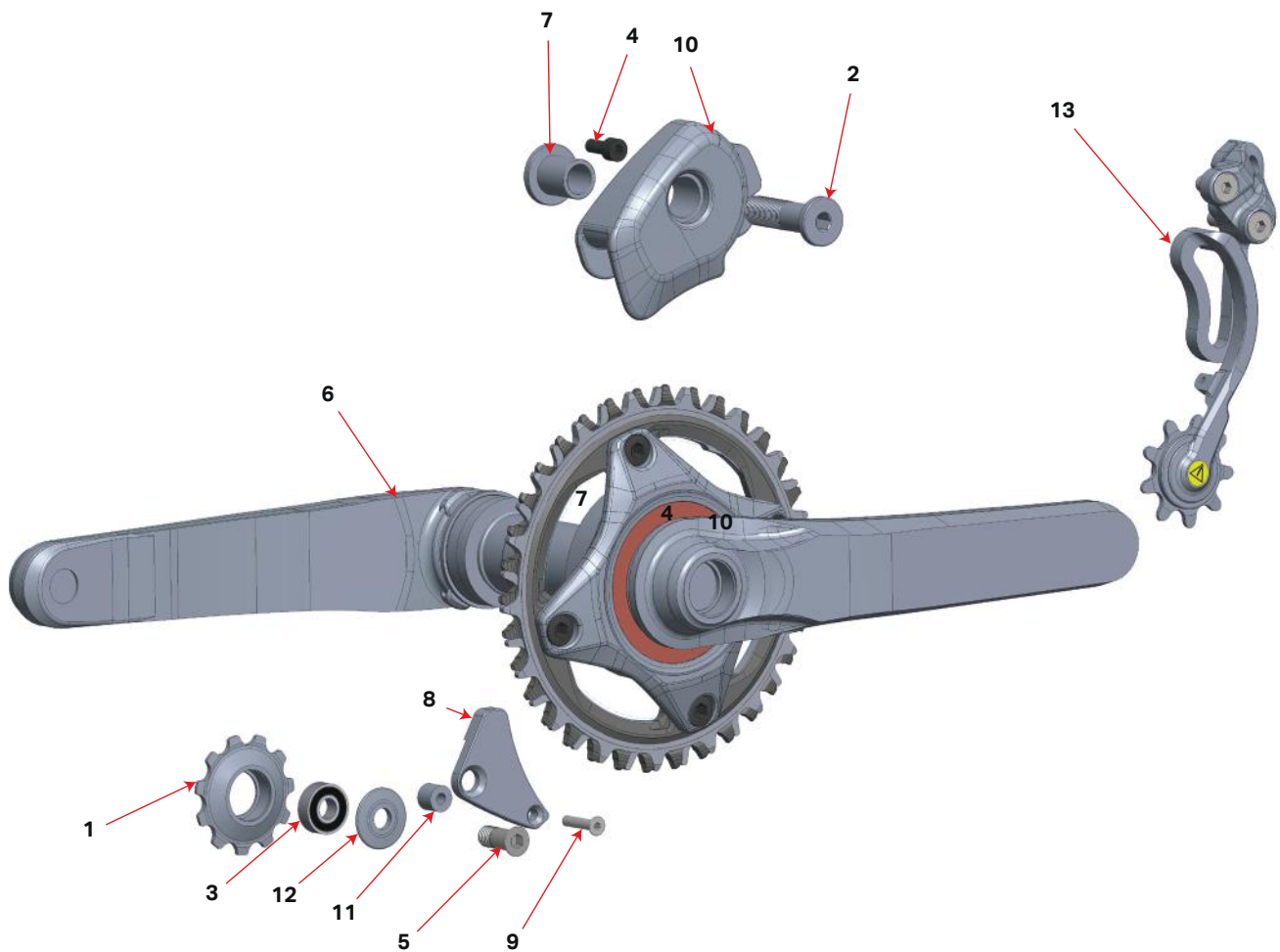
Powerplay clutch bearing assembly

#	QTY	ITEM	PART NO.	REVISION	DESCRIPTION
			1998021		SPIDER ASS'Y
1	1	BEARING, CSK402RS	1347005	C	BW01-170082-00 CLUTCH BEARING 35MM 2RS
9	1	SPIDER	1407027	G	CUSTOM SPIDER 104MM
6	2	KEY	1807075	A	CLUTCH BEARING KEY 8MMX5MM
			1810013		SPIDER ASS'Y (SRAM)
1	1	BEARING, CSK532RS	1347005	C	BW01-170082-00 CLUTCH BEARING 40MM 2RS
10	1	SPIDER	1409027	B	CUSTOM SPIDER 104MM
6	2	KEY	1807075	A	CLUTCH BEARING KEY 8MMX5MM
			1347006		LOCKRING CLUTCH 30mm
7	1	LOCKRING CLUTCH	1347006	A	LOCKRING CLUTCH 30mm
			1347010		LOCKRING CLUTCH 24mm
8	1	LOCKRING CLUTCH	1347010	B	LOCKRING CLUTCH 24mm

Sold as a kit only. Individual part not sold separately

MY20

Powerplay TLFO Bom Drivetrain

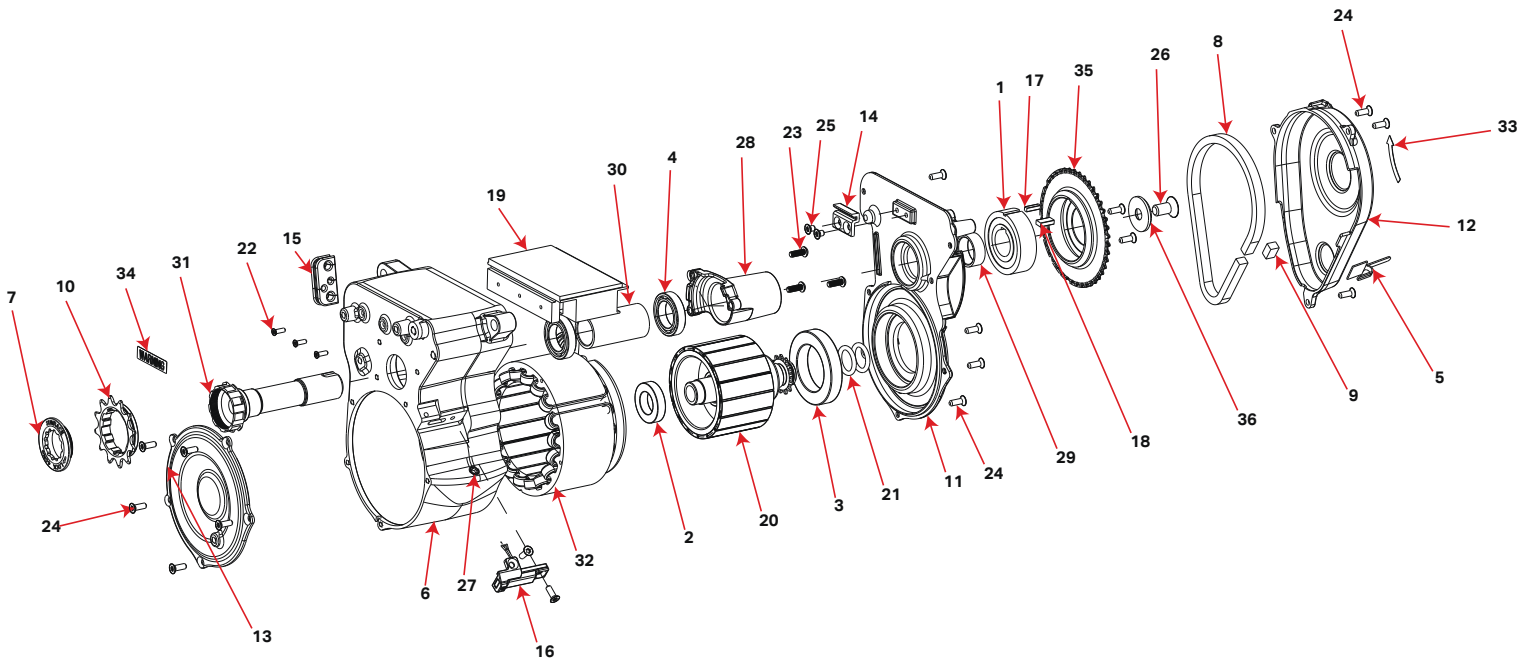


Powerplay BOM drivetrain				
#	QTY	ITEM	PART NO.	REVISION DESCRIPTION
			1810010	SLIDER KIT
2	1	AXLE, MID DRIVE	1457014	A MID DRIVE PULLEY AXLE, M11X1mm 40mm. AL7075-T6 HARD BLACK ANO
4	1	BOLT	1808136	NIL SOCKET HEAD CAP SCREW; M5X12
7	1	post	1999013	B 2019_powerplay_mid_slider_post
10	1	SLIDER, MID-DRIVE	1999003	G MID DRIVE SLIDER
			1999010	LOWER MOTOR BRACE & BASH MOUNT
5	1	BOLT, M8X18	1807126	NIL BOLT M8 X 18MM CUSTOM. 6061 HARD BLACK ANO.
8	1	PULLEY CAP	3399003	NIL LOWER CHAIN GUIDE OUTER PLATE
9	1	SCREW, M4X20	1809011	NIL C'SUNK SOCKET SCREW, M4x20mm, STAINLESS STEEL 316
11	1	SPACER	3399006	NIL LOWER CHAIN GUIDE SPACER
12	1	SPACER, PULLEY GUIDE	1347013	A CHAINSTAY PULLEY GUIDE SPACER,
1	1	11t cog	1347012	A 11T cog, for 19mm bearing
3	1	BEARING	1807036	NIL ENDURO 698 LLU 19X8X6
			1999056	TORQUE ARM ASSEMBLY - DYNAM 3
13	1	TORQUE ARM ASSEMBLY	1999056	D TORQUE ARM ASSEMBLY - DYNAM 3
			1998024	LOWER CHAIN GUIDE 34T
1	1	11t cog	1347012	A 11T cog, for 19mm bearing
3	1	BEARING	1807036	NIL ENDURO 698 LLU 19X8X6
12	1	SPACER, PULLEY GUIDE	1347013	A CHAINSTAY PULLEY GUIDE SPACER,

Sold as a kit only. Individual part not sold separately

MY20

Powerplay Motor Bom



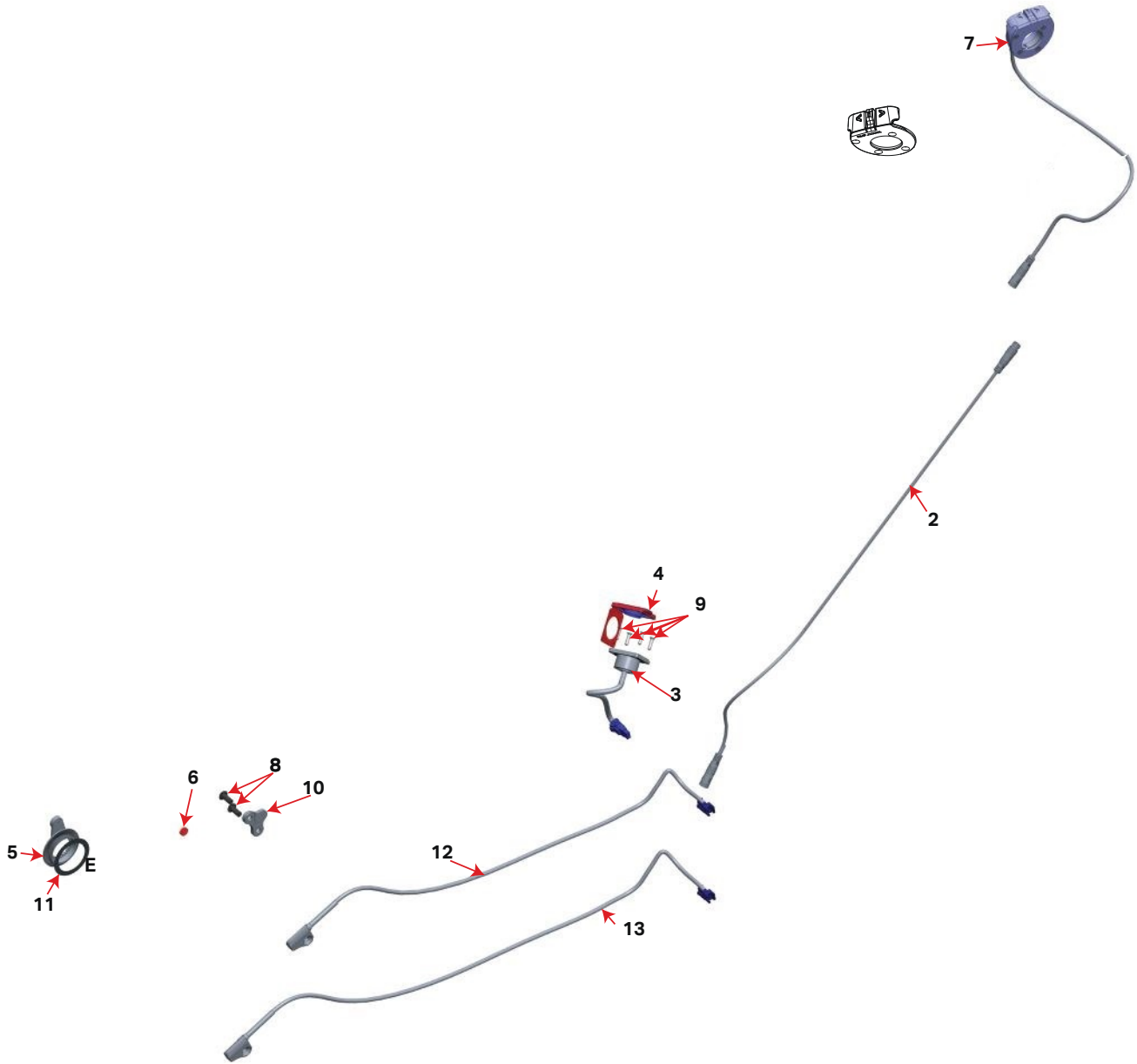
Powerplay motor BOM

#	QTY	ITEM	PART NO.	REVISION	DESCRIPTION
			3998CBPP2018	REPLACEMENT KIT CB PP2018	
1	1	BEARING	1347004	A	CLUTCH BEARING CSK20PP
9	1	CHAIN LINK	1396007	NIL	MAILLE PATENTE TSUBAKI
17	1	KEY 3x3mm	1807074	D	KEY 3MM X 3MM
35	1	TRANSFER, 42T SPROCKET	1347007	A	TRANSFER SPROCKET 42T
26	1	SCREW, M8X16 TORX	1807118MMR		C'SUNK SOCKET SCREW, M8-1.25x16mm, TORX. stainless steel 10.9 w/blue loctite
			3990CBPPUPGRADE	PP CLUTCH BEARING HEAVY DUTY KIT	
40	1	BEARING	1349004	A	CLUTCH BEARING CSK20PP STIEBER
43	1	CHAIN LINK	1396007	NIL	MAILLE PATENTE TSUBAKI
44	1	KEY 3x3mm	1807074	D	KEY 3MM X 3MM
41	1	TRANSFER, 42T SPROCKET	1347007	A	TRANSFER SPROCKET 42T
26	1	SCREW, M8X16 TORX	1807118MMR		C'SUNK SOCKET SCREW, M8-1.25x16mm, TORX. stainless steel 10.9 w/blue loctite
			1810014	OUTPUT COG ASS'Y	
7	1	CASSETTE LOCKRING, 12T	1340008	NIL	SUNRACE CASSETTE LOCKRING, 39.50D - BLACK
10	1	COG, 12T	1347016	C	TRANSFER DRIVEN COG, 12T,
			1977061PR	HALL EFFECT SENSOR KT PPLY MTB	
16	1	HALL EFFECT	1977061PR-		HALL EFFECT SENSOR KT PPLY MTB
			1997092PR	TRANSFER CHAIN KIT	
8	1	TRANSFER CHAIN	1997092PR		TRANSFER CHAIN KIT
9	1	CHAIN LOCK			
21	2	O-RING			

Sold as a kit only. Individual part not sold separately

MY20

Powerplay Bom Sensor



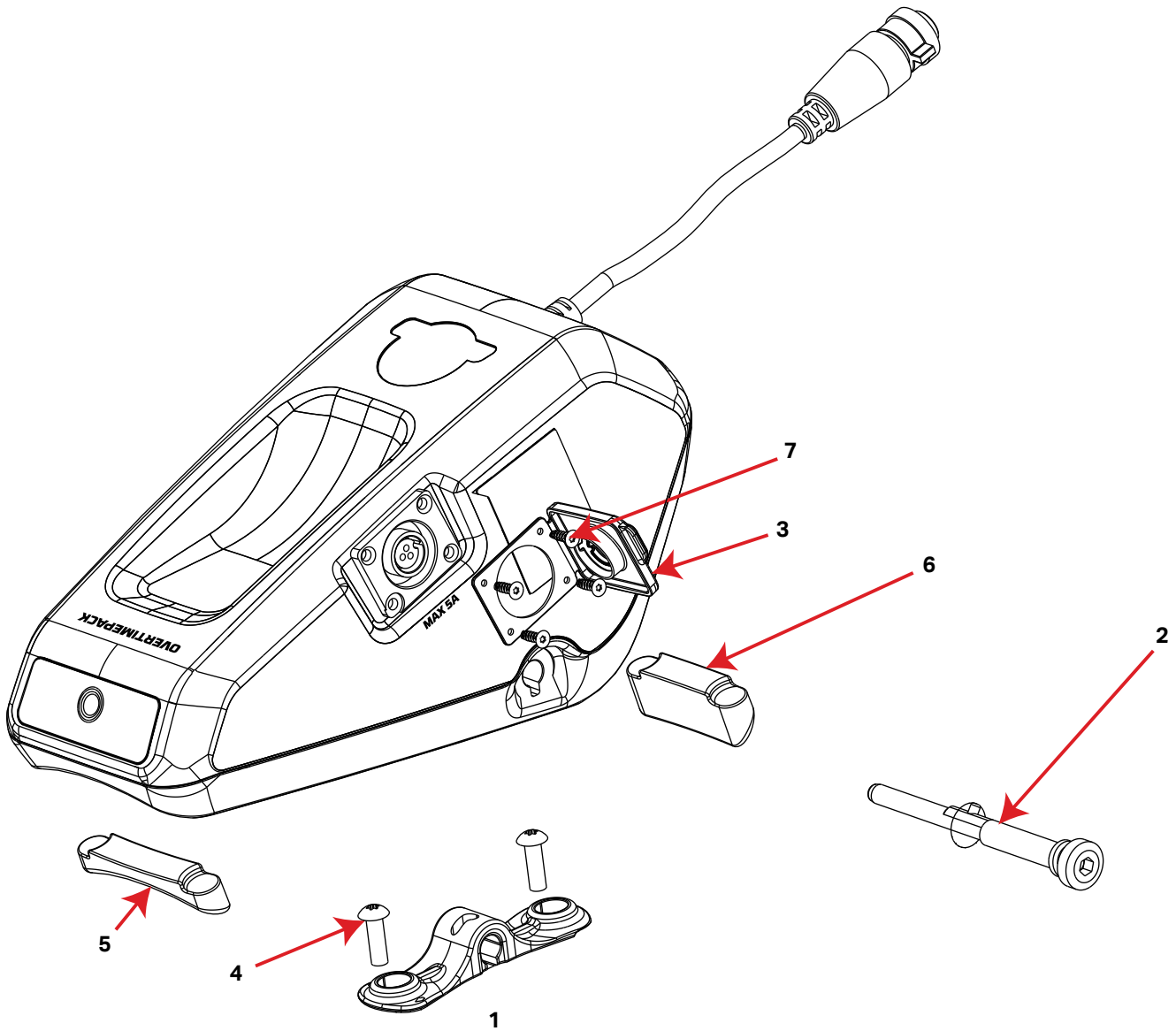
Parts Kits and Price List are subject to change without notice.
A \$10 handling fee will be charged for order less than \$50.

Powerplay BOM sensor				
#	QTY	ITEM	PART NO.	REVISION DESCRIPTION
7	1	REMOTE	197011	IWOC TRIO REMOTE RMT+
			197011	IWOC TRIO REMOTE RMT+
2	1	CABLE	1977012	DOWN TUBE EXTENSION CABLE
			1977012	NIL DOWN TUBE EXTENSION CABLE
12	1	SPEED SENSOR	1977007	SPEED SENSOR WITH CLAMP
			1977007	NIL SPEED SENSOR WITH CLAMP
3	1	CHARGE PORT	1810011	CHARGE PORT KIT
			1977005	NIL CHARGE PORT
4	1	CHARGE PORT COVER	1997079	B CHARGE PORT RUBBER CAP, BLACK RUBBER
9	4	SCREW, M3X12 TORX	1807117	NIL C'SUNK SOCKET SCREW, M3-0.5x12mm TORX, stainless steel w/blue loctite
5	1	LOCKRING	1810012	SPEED SENSOR HOLDER ASSY CENTERLOCK (change desc)
			1349007	C CENTERLOCK ROTOR SPEED SENSOR LOCKRING
11	1	SHIM	1349008	A LOCKRING SHIM
6	1	MAGNET	1997068	NIL SPEED SENSOR MAGNET
8	2	SCREW	1998022	SPEED SENSOR HOLDER ASSY(change desc)
			1808028	NIL DOME HEAD SCREW, M5X12MM, GRADE 10.9 STEEL, BLACK OXIDE, TORX
10	1	SENSOR	1997069	B SPEED SENSOR MAGNET HOLDER
6	1	MAGNET	1997068	NIL

Sold as a kit only. Individual part not sold separately

MY21

Overtimepack



Parts Kits and Price List are subject to change without notice.
A \$10 handling fee will be charged for order less than \$50.

2021 POWERPLAY OVERTIME PACK

#	QTY	ITEM	PART NO.	REVISION	DESCRIPTION	
			1811022		CAM ROD ASSY	CHF
2	1	CAM ROD	1801012		CAM ROD ASSY	
			1811019		ATTACH MOUNT KIT	CHF
1	1	MOUNT	1991005		ATTACH MOUNT PLATE	
4	2	SCREW	1801017		DOME HEAD SCREW, M5X16MM,BLACK OXIDE TORX	
			1811020		RUBBER PAD KIT	
5	1	RUBBER PAD	1991003		FRONT RUBBER PAD	
6	1	RUBBER PAD	1991004		REAR RUBBER PAD	
			1811021		CHARGE PORT PANEL KIT	
3	1	CHARGE PORT COVER	1997079		CHARGE PORT RUBBER CAP, BLACK RUBBER	
7	4	SCREW	1801021		SCREW PHILIPPS SS BLACK FINISH M3- 8MM LG	