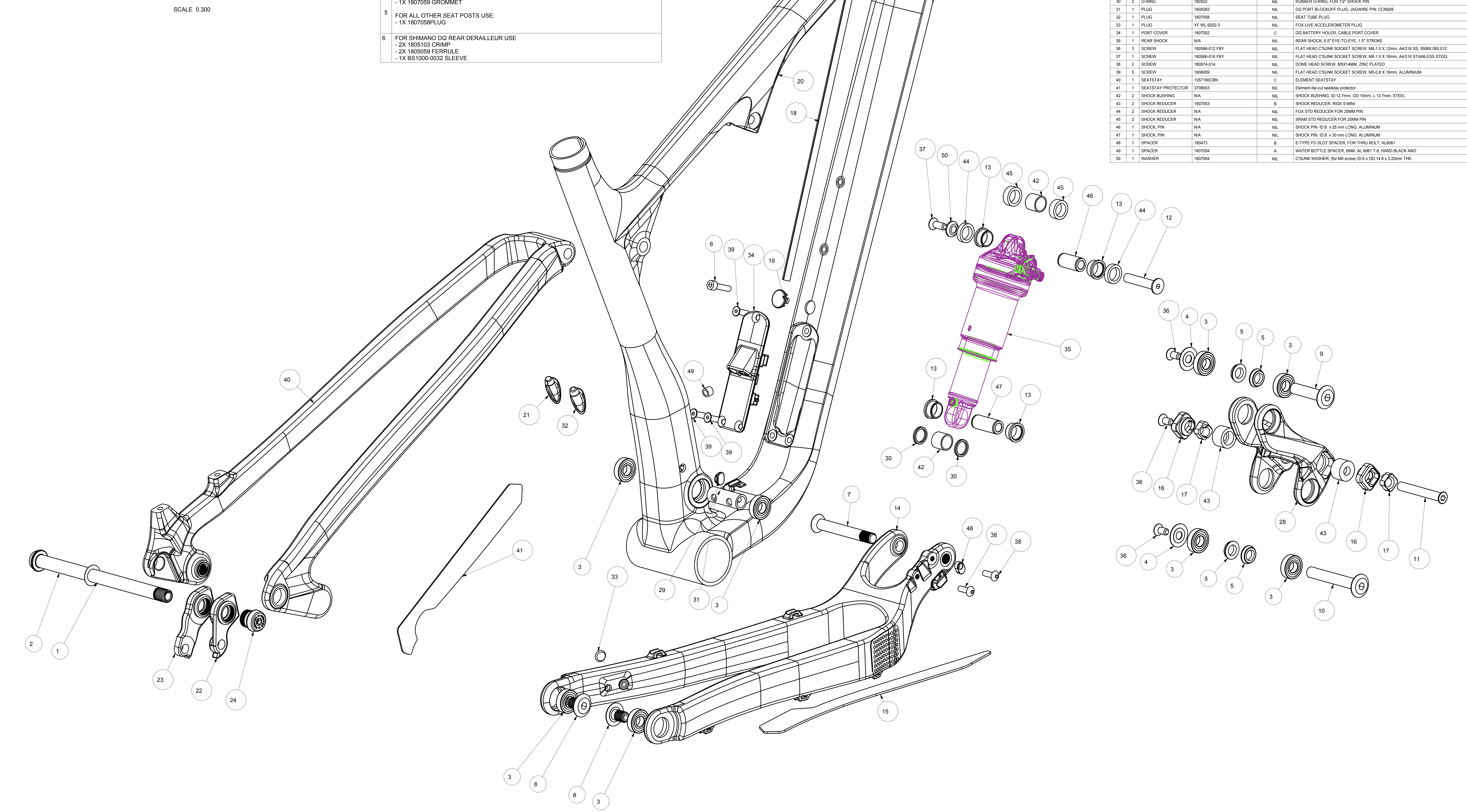


SCALE 0.300

- NOTES:**
- FOR FOX SHOCK W/ IGUS BUSHINGS, USE:
 - 1X 30MMX8MM ID PIN ON REAR EYELET
 - 1X 25MMX8MM ID PIN WITH STANDARD FOX REDUCERS ON FORWARD EYELET
 - 2X 1807053 REDUCERS ON REAR PIN
 - FOR SRAM SHOCK W/ STEEL DU BUSHINGS, USE:
 - 1X 30MMX8MM ID PIN ON REAR EYELET
 - 1X 25MMX8MM ID PIN WITH STANDARD SRAM REDUCERS ON FORWARD EYELET
 - 2X 1807053 REDUCERS ON REAR PIN
 - 2X 180522 O-RINGS ON REAR PIN
 - FOR REAR DERAILLEUR HANGER:
 - USE 1097132 FOR STANDARD DERAILLEUR
 - USE 3227002 FOR SHIMANO DIRECT-MOUNT DERAILLEUR
 - FOR 1X DRIVETRAIN USE:
 - 1X 1805083 PLUG
 - FOR SHIMANO MECHANICAL SIDE SWING FRONT DERAILLEUR USE:
 - 1X 180473 SPACER
 - 2X 180574-14 SCREWS
 - 1X 1805083 PLUG
 - FOR SHIMANO DI2 SIDE SWING FRONT DERAILLEUR USE:
 - 1X 180473 SPACER
 - 2X 180574-14 SCREWS
 - 1X 1805082 GROMMET
 - FOR FOX LIVE:
 - USE M5 20MM LONG SCREW IN UPPERMOST PORT COVER HOLE
 - REMOVE FOX LIVE PLUG
 - REMOVE FOX LIVE ACCELEROMETER PLUG
 - FOR STEALTH DROPPER SEAT POST USE:
 - 1X 1807059 GROMMET
 - FOR ALL OTHER SEAT POSTS USE:
 - 1X 1807058 PLUG
 - FOR SHIMANO DI2 REAR DERAILLEUR USE:
 - 2X 1805103 CRIMP
 - 2X 1805059 FERRULE
 - 1X BS1000-0032 SLEEVE



#	QTY	ITEM	PART NO.	REVISION	DESCRIPTION
1	1	AXLE WASHER	3227006	B	WASHER, 12X19x0.5MM, 304 SS
2	1	AXLE, 12MMX173MM	3227009	B	2017 ELEMENT REAR AXLE 12X 173MM, HARD BLACK ANO
3	8	BEARING	1807042	NIL	ENDURO 6900 2RS MAX, 22X10X9
4	2	BEARING CAP	1807043	NIL	6900 BEARING CAP, AL 7075 T-6, HARD BLACK ANO
5	4	BEARING SPACER	1807044	NIL	6900 BEARING SPACER
6	1	BOLT	1807045	NIL	SOCKET HEAD CAP SCREW, M5X20, ALUMINUM, BLACK
7	1	BOLT	1807045	B	BOLT CSUNK 10MM X 70MM, M10X1.0, AL 7075 T-6, HARD BLACK ANO
8	2	BOLT	1807046	NIL	BOLT, 10MM X 15MM, M10X1 EXT., AL 7075 T-6, HARD BLACK ANO
9	1	BOLT	1807047	NIL	BOLT, 10MM X 43MM, M8X1 INT., AL 7075 T-6, HARD BLACK ANO
10	1	BOLT	1807048	NIL	BOLT, 10MM X 67MM, M8X1 INT., AL 7075 T-6, HARD BLACK ANO
11	1	BOLT	1807049	C	CSUNK BOLT, 8MM X 57MM X M6 INT.
12	1	BOLT SHK.	1807062	A	SHOCK BOLT, SOLID, OD 8MM, L: 43MM
13	4	BUSHING, FOX IGUS	N/A	NIL	FOX_IGUS_BUSHING
14	1	CHAINSTAY	1097150CBN	C	ELEMENT CHAINSTAY
15	1	CHAINSTAY PROTECTOR	3708001	NIL	Element die-out chainstay protector
16	1	FLIP CHIP	1807003	NIL	FLIP CHIP, OUTSIDE, AL 7075, BLACK ANODIZE
17	2	FLIP CHIP	1807004	A	FLIP CHIP, INSIDE, AL 7075, BLACK ANODIZE
18	1	FOAM TUBE	N/A	NIL	SPLIT FOAM TUBE, ONE FOR EACH CABLE IN FRAME
19	1	FOX LIVE PLUG	1807057	A	FOX LIVE PLUG, ABS PLASTIC, BLACK, (Spannar 245-131)
20	1	FRONT TRIANGLE	1067230CBN-1067234CBN	C	ELEMENT FRONT TRIANGLE
21	1	GROMMET	1807059	NIL	SEAT TUBE GROMMET
22	1	HANGER	1097132	A	REAR DER. HANGER, INT. LH THREAD, SHIMANO MOUNT
23	1	HANGER	3227002	F	REAR DER. HANGER, INT. LH THREAD, SHIMANO DIRECT MOUNT
24	1	HANGER BOLT	3227001	E	HANGER BOLT, EXT. 16MM LH THREAD, AL6061-T6, HARD BLACK ANO
25	1	HT BADGE	N/A	NIL	REAR SHOCK, 3" EYE-TO-EYE, 1" STROKE
26	1	HT PANEL LEFT	1097136	C	REAR SHOCK, REFER TO GRAPHICS
27	1	HT PANEL RIGHT	1097140	C	HT PORT PANEL LEFT
28	1	LINK	1097180ALU	A	HT PORT PANEL RIGHT
29	1	MAIN PIVOT SPACER	1807051	A	ELEMENT LINK, AL 7075 T-6, HARD BLACK ANO
30	2	O-RING	180522	NIL	MAIN PIVOT SPACER 38.75MM
31	1	PLUG	1805083	NIL	RUBBER O-RING, FOR 1/2" SHOCK PIN
32	1	PLUG	1807058	NIL	DI2 PORT BLOCKOFF PLUG, JAGWIRE PIN CEN009
33	1	PLUG	YF-WL-9202-3	NIL	SEAT TUBE PLUG
34	1	PORT COVER	1807052	C	FOX LIVE ACCELEROMETER PLUG
35	1	REAR SHOCK	N/A	NIL	DI2 BATTERY HOLDER, CABLE PORT COVER
36	3	SCREW	180566-013 FBY	NIL	REAR SHOCK, 3" EYE-TO-EYE, 1" STROKE
37	1	SCREW	180566-016 FBY	NIL	FLAT HEAD CSUNK SOCKET SCREW, M5.0 X 12mm, A4-16 SS, 50000.060.012
38	2	SCREW	180574-014	NIL	FLAT HEAD CSUNK SOCKET SCREW, M5.0 X 16mm, A4-16 STAINLESS STEEL
39	5	SCREW	1806009	NIL	DOME HEAD SCREW, M5X14MM, ZINC PLATED
40	1	SEATSTAY	1097180CBN	C	FLAT HEAD CSUNK SOCKET SCREW, M5.0 X 16mm, ALUMINUM
41	1	SEATSTAY PROTECTOR	3708003	NIL	ELEMENT SEATSTAY
42	2	SHOCK BUSHING	N/A	NIL	Element die-out seatstay protector
43	2	SHOCK REDUCER	1807053	B	SHOCK BUSHING, ID: 12.7mm, OD: 15mm, L: 12.7mm, STEEL
44	2	SHOCK REDUCER	N/A	NIL	SHOCK REDUCER, RIDE 9 MNI
45	2	SHOCK REDUCER	N/A	NIL	FOX STD REDUCER FOR 25MM PIN
46	1	SHOCK PIN	N/A	NIL	SHAM STD REDUCER FOR 25MM PIN
47	1	SHOCK PIN	N/A	NIL	SHOCK PIN, ID: 8 x 25mm LONG, ALUMINUM
48	1	SPACER	180473	B	SHOCK PIN, ID: 8 x 30mm LONG, ALUMINUM
49	1	SPACER	1807054	A	E-TYPE FD SLOT SPACER, FOR THRU BOLT, AL6061
50	1	WASHER	1807064	NIL	WATER BOTTLE SPACER, 6MM, AL 6061 T-6, HARD BLACK ANO
					CSUNK WASHER, (for M5 screw) ID: 6 x OD: 14.6 x 3.25mm THK.

REV	DATE	DESCRIPTION	BY	CHK
1				
2				
3				
4				
5				
6				
7				
8				
9				
10				
11				
12				
13				
14				
15				
16				
17				
18				
19				
20				
21				
22				
23				
24				
25				
26				
27				
28				
29				
30				
31				
32				
33				
34				
35				
36				
37				
38				
39				
40				
41				
42				
43				
44				
45				
46				
47				
48				
49				
50				

THE INFORMATION CONTAINED HEREIN IS PROPRIETARY TO ROCKY MOUNTAIN BICYCLES / PROCYCLE GROUP, AND IS NOT TO BE RELEASED WITHOUT PRIOR WRITTEN APPROVAL.

ROCKY MOUNTAIN BICYCLES
 DIV. OF PROCYCLE GROUP
 1222 EAST KEITH ROAD, #10
 NORTH VANCOUVER, BC, CANADA V7J 1J3
 TEL: 604-860-8800 FAX: 604-860-8875

ELEMENT BILL OF MATERIALS
 DRAWING SCALE: 0.850
 TOLERANCES: UNLESS NOTED
 X.XX ±0.05
 X.X ±0.1
 X ±0.25
 K.O.X. ±0.05
 DRAWN BY: CHECKED BY: APPROVED BY:

SHEET 1 OF 1
 REV G