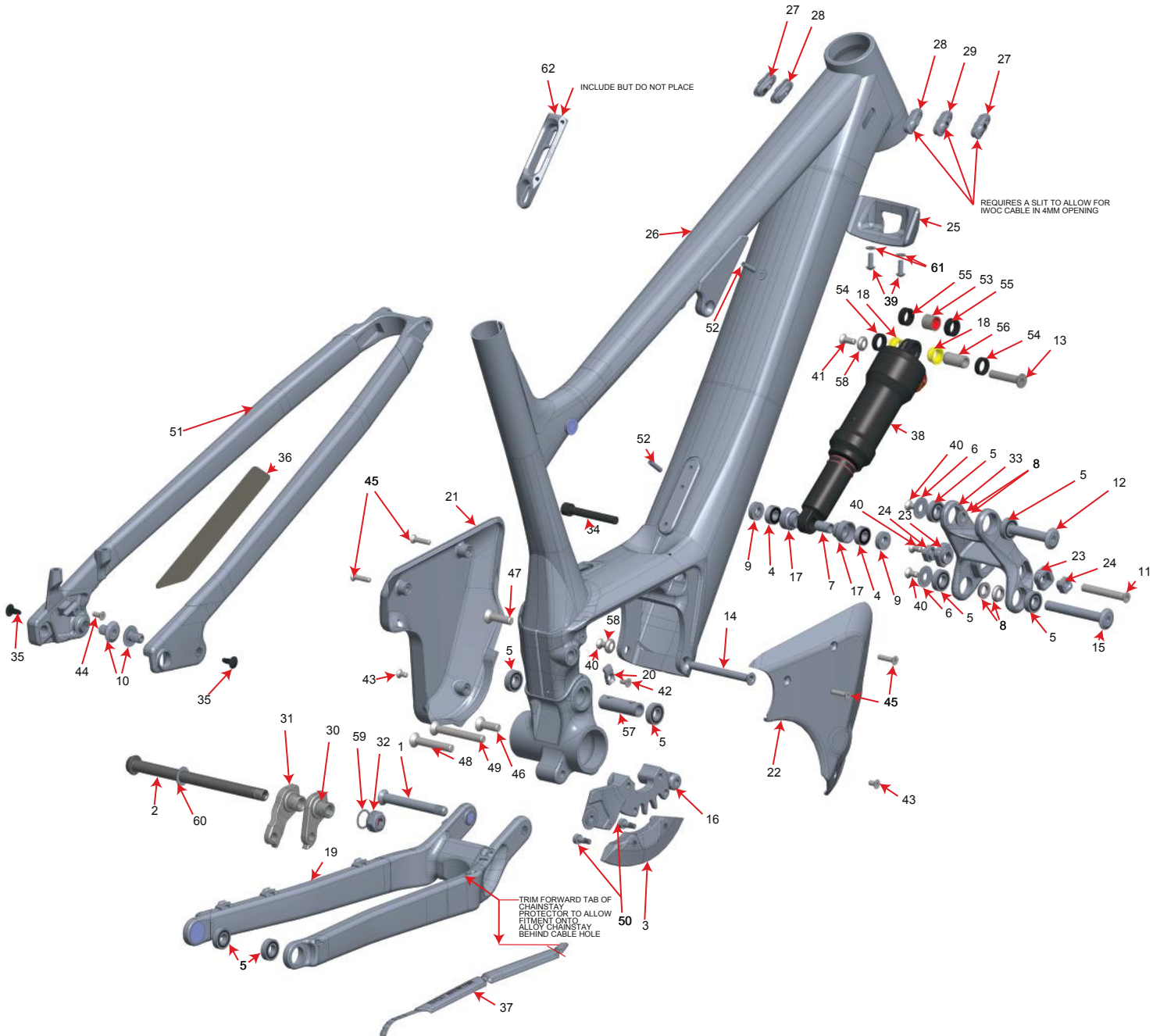


MY20 MY19

# Instinct Powerplay Alloy

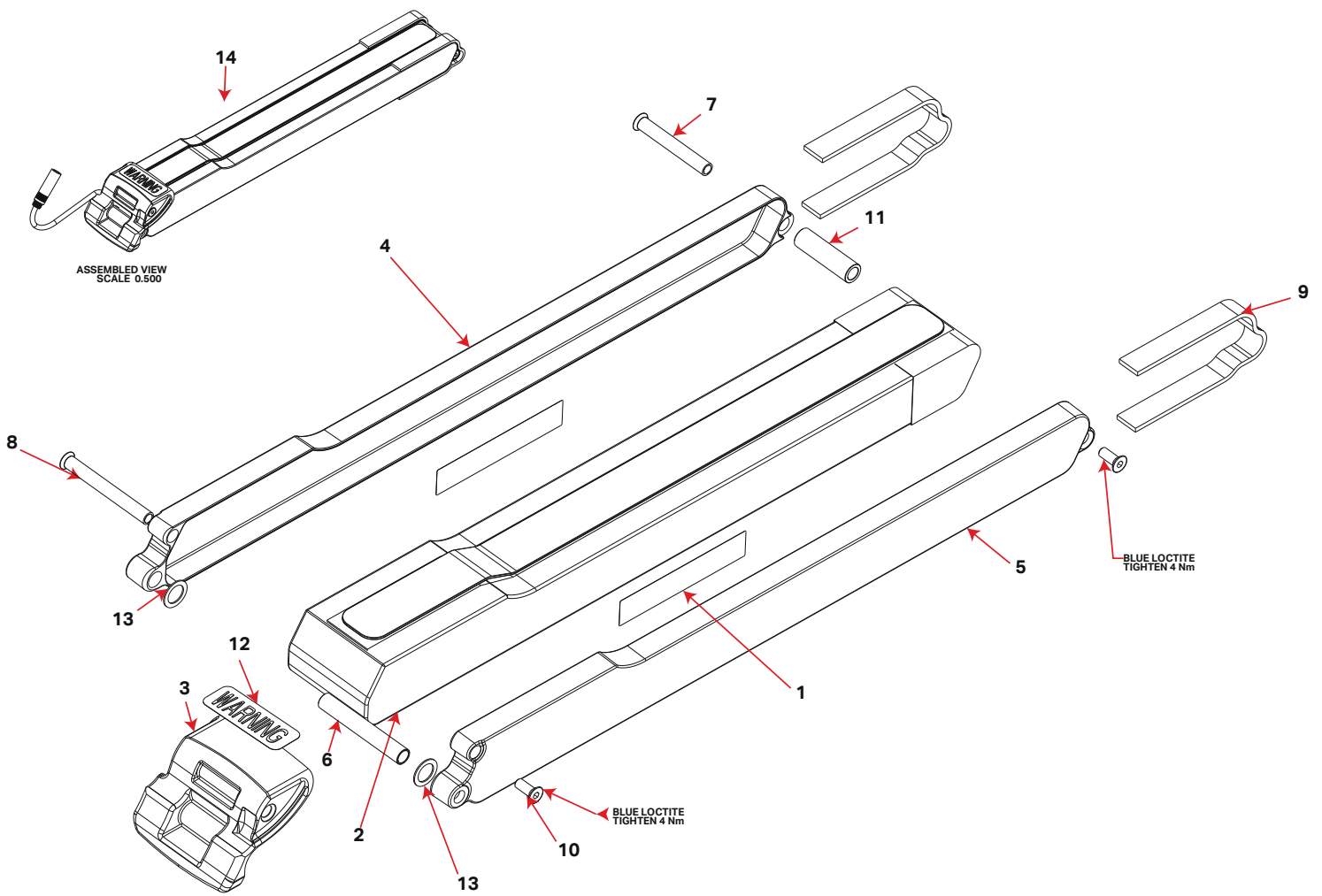


2020_2019 Instinct PP Alloy						
#	QTY	ITEM	Part No Chrissports	PART NO.	REVISION	DESCRIPTION
				<b>1819015</b>	<b>INSTINCT LINK WITH BEARING KIT</b>	
33	1	LINK		1098101	A	INSTINCT LINK, 88MM LONG, RIDE9, AL7075-T6, HARD BLACK ANO
5	4	BEARING		1807042	NIL	ENDURO BEARING 6900 2RS MAX TYPE, 22X10X6 SIZE
				<b>1819016</b>	<b>INSTINCT BC LINK WITH BEARING KIT</b>	
33	1	LINK		1098102	A	INSTINCT BC LINK, 88MM LONG, AL7075-T6, HARD BLACK ANO
5	4	BEARING		1807042	NIL	ENDURO BEARING 6900 2RS MAX TYPE, 22X10X6 SIZE
				<b>1818012</b>	<b>HANGER KIT SHIMANO DIRECT MOUNT</b>	
31	1	HANGER		1099041	NIL	REAR DER. HANGER, EXT THREAD, SHIMANO DIRECT MOUNT
32	1	HANGER NUT		1099033	NIL	HANGER NUT, M16X1, 8MM HEX
59	1	WASHER		1808029	NIL	WASHER, 16x20x0.5MM, 304 SS
				<b>1818013</b>	<b>KIT STANDARD HANGER</b>	
30	1	HANGER		1099031	A	REAR DER. HANGER, EXT THREAD, STD MOUNT
32	1	HANGER NUT		1099033	NIL	HANGER NUT, M16X1, 8MM HEX
59	1	WASHER		1808029	NIL	WASHER, 16x20x0.5MM, 304 SS
				<b>1810005</b>	<b>PIVOT BOLT KIT</b>	
1	1	AXLE, MP		1807029	A	MP AXLE, M10X1.25, L:84mm, AL7075-T6 HARD BLACK ANO
6	2	BEARING CAP		1807043	NIL	6900 BEARING CAP, AL 7075 T-6, HARD BLACK ANO
8	4	BEARING SPACER		1807044	NIL	6900 BEARING SPACER
10	2	BOLT		1807046	NIL	BOLT, 10MM X 15MM, M10X1 EXT., AL 7075 T-6 HARD BLACK ANO
11	1	BOLT		1807049	C	CSUNK BOLT, 8MM X 57MM X M6 INT.
12	1	BOLT		1807060	NIL	BOLT, 10MM X 54MM, M6X1 INT., AL 7075-T6, HARD BLACK ANO
15	1	BOLT, M10X78		1807061	NIL	BOLT, 10MM X 78MM, M6X1 INT., AL 7075 T-6, HARD BLACK ANO
40	4	SCREW M6x12		180566-012	NIL	FLAT HEAD C'SUNK SOCKET SCREW, M6-1.0 X 12mm, A4/316 SS, 55060.060.012
58	2	WASHER		1807064	NIL	C'SUNK WASHER: (for M6 screw) ID:6 x OD:14.6 x 3.25mm THK.
41	1	SCREW M6x16		180566-016	NIL	FLAT HEAD C'SUNK SOCKET SCREW, M6-1.0 X 16mm, A4/316 STAINLESS STEEL
13	1	BOLT SHK.		1807062	G	SHOCK BOLT, SOLID, OD:8MM, L: 41MM
57	1	SPACER, MP		1807038	B	MAIN PIVOT CENTER SPACER, ID:10, L:48
				<b>1819029</b>	<b>POWERPLAY PROTECTION KIT</b>	
36	1	PROTECTOR		3708008	D	SEATSTAY PROTECTOR
37	1	PROTECTOR		3708035	NIL	MULTIBIKE CHAINSTAY PROTECTOR
				<b>1817011</b>	<b>AXLE KIT BOOST</b>	
2	1	AXLE, REAR		3227009	C	REAR AXLE 12X 173MM, HARD BLACK ANO
60	1	WASHER		3227006	B	WASHER, 12x19x0.5MM, 304 SS
				<b>1818003</b>	<b>SHOCK BEARING EYELET KIT</b>	
4	2	BEARING		1807036	NIL	ENDURO 698 LLU MAX 19X8X6
7	1	BEARING SLEEVE		1807028	A	BEARING EYELET SLEEVE FOR SR 19X8X6 CUP
9	2	BEARING SPACER		1807099	C	EYELET BEARING SPACER, 5.3MM THK, FOR 40MM LINK WIDTH
17	2	BRG CUP		1807026	E	BEARING EYELET FOR SR 19X8X6 BRG
				<b>1817017</b>	<b>PIVOT BEARING KIT</b>	
5	8	BEARING		1807042	NIL	ENDURO BEARING 6900 2RS MAX TYPE, 22X10X6 SIZE
				<b>1810009</b>	<b>RIDE 9 FLIP CHIP KIT</b>	
23	2	FLIP CHIP		1807003	NIL	FLIP CHIP, OUTSIDE, AL7075, BLACK ANODIZE.
24	2	FLIP CHIP		1807004	A	FLIP CHIP, INSIDE, AL7075, BLACK ANODIZE.
				<b>1998063</b>	<b>Side cover kit right</b>	
21	1	COVER, RIGHT		1997017	E	POWERPLAY MOTOR COVER, RIGHT
43	1	SCREW, MSX10		1808152	NIL	C'SUNK SOCKET SCREW, M5-0.8x10MM. BLACK STAINLESS STEEL
45	2	SCREW, MSX22		1808137	NIL	C'SUNK SOCKET SCREW, M5-0.8x22MM. BLACK STAINLESS STEEL
				<b>1998062</b>	<b>Side cover kit left</b>	
22	1	COVER, LEFT		1997019	D	POWERPLAY MOTOR COVER, LEFT
43	1	SCREW, MSX10		1808152	NIL	C'SUNK SOCKET SCREW, M5-0.8x10MM. BLACK STAINLESS STEEL
45	2	SCREW, MSX22		1808137	NIL	C'SUNK SOCKET SCREW, M5-0.8x22MM. BLACK STAINLESS STEEL
				<b>1997093</b>	<b>Bash Guard kit</b>	
3	1	BASH GUARD		1997058	A	RMB BASH GUARD
50	2	SCREW, SHOULDER		1807125	NIL	CUSTOM HEX SOC. HD. SHLD. SCR., 303 SS, M5 6x8
				<b>1818009</b>	<b>Side Cover bolt kit</b>	
43	2	SCREW, MSX10		1808152	NIL	C'SUNK SOCKET SCREW, M5-0.8x10MM. BLACK STAINLESS STEEL
45	4	SCREW, MSX22		1808137	NIL	C'SUNK SOCKET SCREW, M5-0.8x22MM. BLACK STAINLESS STEEL
				<b>1819030</b>	<b>GROMMET KIT FOR ALLOY POWERPLAY</b>	
27	2	GROMMET		1809004	NIL	RUBBER GROMMET FOR 2 CABLES, 5mm, 4mm YF-W13-2
28	2	GROMMET		1809005	NIL	RUBBER GROMMET FOR 1 CABLE 4mm YF-W13-4
29	1	GROMMET		1809007	NIL	RUBBER GROMMET FOR 2 CABLES, 5mm, 5mm YF-W13-8
				<b>1818006</b>	<b>Alloy seat stay Cap Kit for alloy frames only</b>	
35	2	PLUG		1808034	NIL	PLASTIC PLUG FOR M5 THREAD, 12MM BUTTON HEAD, BLACK PLASTIC
				<b>1819031</b>	<b>POWERPLAY RUBBER BUMPER KIT</b>	
25	1	FORK BUMPER		1999008	A	POWERPLAY RUBBER BUMPER
61	2	WASHER		1809013	NIL	WASHER, 5 X 10 X 1MM, STAINLESS STEEL
39	2	SCREW		180574-014	NIL	DOME HEAD SCREW, MSX14MM, SS
				<b>1819032</b>	<b>FRAME HARDWARE (BATTERY)</b>	
14	1	BOLT, BATTERY		1807127	NIL	E-MTB BATTERY BOLT, 8MM x 81MM. AL7075-T6 HARD BLACK ANO
40	1	SCREW M6x12		180566-012	NIL	FLAT HEAD C'SUNK SOCKET SCREW, M6-1.0 X 12mm, A4/316 SS, 55060.060.012
52	2	SET SCREW		1808024	NIL	SET SCREW, M5 x 0.8 x 20MM. STAINLESS STEEL 316.
58	1	WASHER		1807064	NIL	C'SUNK WASHER: (for M6 screw) ID:6 x OD:14.6 x 3.25mm THK.
				<b>1819033</b>	<b>FRAME HARDWARE (MOTOR)</b>	
34	1	M8x60 bolt		1808023	NIL	SOCKET HEAD CAP SCREW; M8X60, stainless steel
44	1	SCREW, MSX12		1807152	NIL	C'SUNK SOCKET SCREW, M5-0.8x12mm. stainless steel
47	1	SCREW, M8X30		1807121	NIL	C'SUNK SOCKET SCREW, M8-1.25x30mm, stainless steel
49	1	SCREW, M8X65		1807122	NIL	C'SUNK SOCKET SCREW, M8-1.25x65mm, stainless steel
				<b>1819034</b>	<b>CHAIN GUIDE KIT</b>	
16	1	BRACE, MOTOR		3999001	NIL	LOWER CHAIN GUIDE 34T
46	1	SCREW, M8X25		1807123	NIL	C'SUNK SOCKET SCREW, M8-1.25x25mm, stainless steel
48	1	SCREW, M8X50		1807124	NIL	C'SUNK SOCKET SCREW, M8-1.25x50mm, stainless steel
				<b>1819035</b>	<b>MOTOR CABLE CLAMP KIT DRIVE SIDE</b>	
20	1	CLAMP		1997081	A	CABLE CLAMP, M5 CSUNK. AL6061-T6, HARD BLACK ANO.
42	1	SCREW, MSX10		180475-010	NIL	C'SUNK SOCKET SCREW, M5-0.8x10mm. zinc plated 10.9 steel
				<b>1809012</b>	<b>OFFSIDE WATER BOTTLE ADAPTER, USES MSX14MM BOLTS</b>	
62	1	WB ADAPTER		1809012	D	OFFSIDE WATER BOTTLE ADAPTER, USES MSX14MM BOLTS

Sold as a kit only. Individual part not sold separately

MY20

# Powerplay Battery Bom



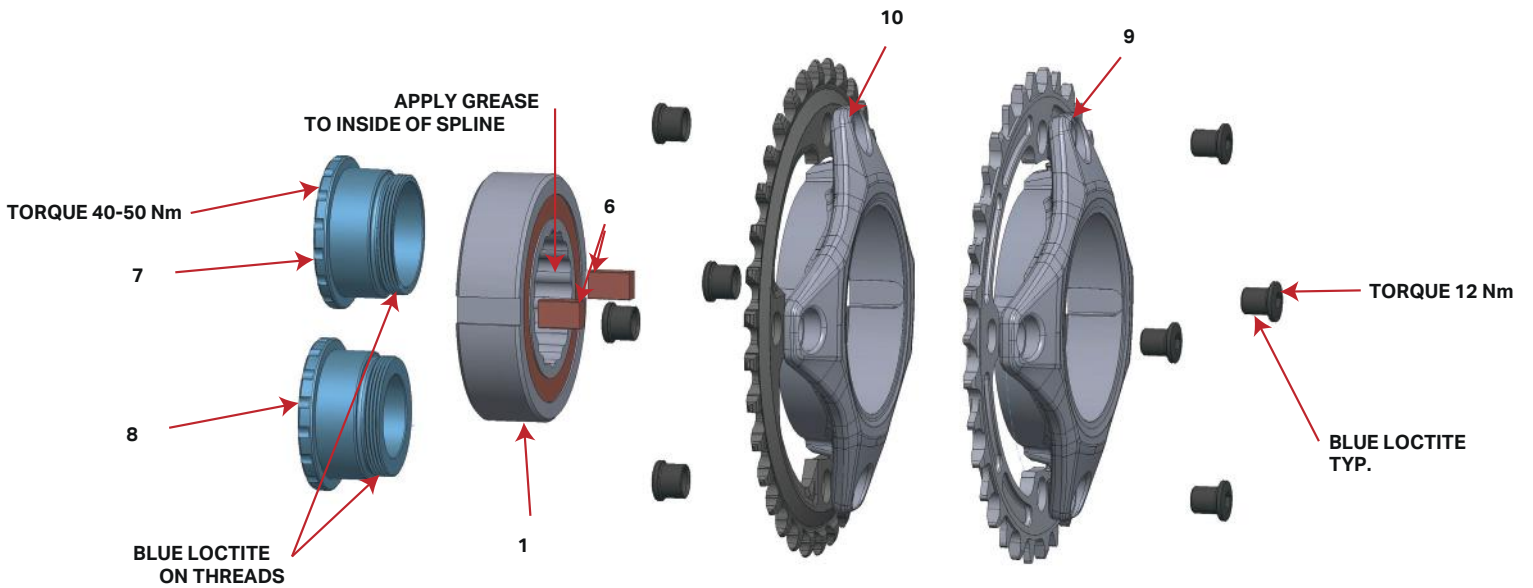
## Powerplay battery BOM

#	QTY	ITEM	PART NO.	REVISION	DESCRIPTION
			<b>1818016</b>		<b>KIT HARDWARE BATTERY POWERPLAY</b>
1	2	ADHESIVE TAPE	1807159	NIL	ADHESIVE BOTH SIDE TAPE 3/4"
3	1	BATTERY, CAP	1997063	D	BATTERY CAP
4	1	BATTERY, COVER LT	1997060	A	BATTERY COVER, LEFT
5	1	BATTERY, COVER RT	1997061	A	BATTERY COVER, RIGHT
6	1	BATTERY, PIN	1997062	B	BATTERY PIN, 68mm, 6061-T6, hard black anodize
7	1	BOLT, SLEEVE 58	1807139	B	SLEEVE BOLT, M8 X 58mm ALLOY 7075-T6.
8	1	BOLT, SLEEVE 72	1807141	A	SLEEVE BOLT, M8 X 72mm. ALLOY 7075-T6.
9	2	FOAM	1808044	A	BATTERY NOISE CANCELING FOAM
10	2	SCREW, M6	1807120	NIL	FLAT HEAD C'SUNK SOCKET SCREW, M6-1.0 X 16mm, A4/316 SS WITH BLUE LOCTITE
11	1	SPACER, BATTERY	1997064	A	BATTERY SLEEVE SPACER, 44MM, 6061-T6, HARD BLACK A NODIZE
12	1	WARNING STICKER	1708020	NIL	BATTERY MANIPULATION WARNING STICKER
13	2	WASHER	1808054	A	NYLON WASHER

Sold as a kit only. Individual part not sold separately

MY20

# Powerplay Clutch bearing



Powerplay clutch bearing assembly

#	QTY	ITEM	Part No Chrissports	PART NO.	REVISION	DESCRIPTION
				<b>1998021</b>		<b>SPIDER ASS'Y</b>
1	1	BEARING, CSK402RS		1347005 C		BW01-170082-00 CLUTCH BEARING 35MM 2RS
9	1	SPIDER		1407027 G		CUSTOM SPIDER 104MM
6	2	KEY		1807075 A		CLUTCH BEARING KEY 8MMX5MM
				<b>1810013</b>		<b>SPIDER ASS'Y (SRAM)</b>
1	1	BEARING, CSK532RS		1347005 C		BW01-170082-00 CLUTCH BEARING 40MM 2RS
10	1	SPIDER		1409027 B		CUSTOM SPIDER 104MM
6	2	KEY		1807075 A		CLUTCH BEARING KEY 8MMX5MM
				<b>1347006</b>		<b>LOCKRING CLUTCH 30mm</b>
7	1	LOCKRING CLUTCH		1347006 A		LOCKRING CLUTCH 30mm
				<b>1347010</b>		<b>LOCKRING CLUTCH 24mm</b>
8	1	LOCKRING CLUTCH		1347010 B		LOCKRING CLUTCH 24mm

Sold as a kit only. Individual part not sold separately



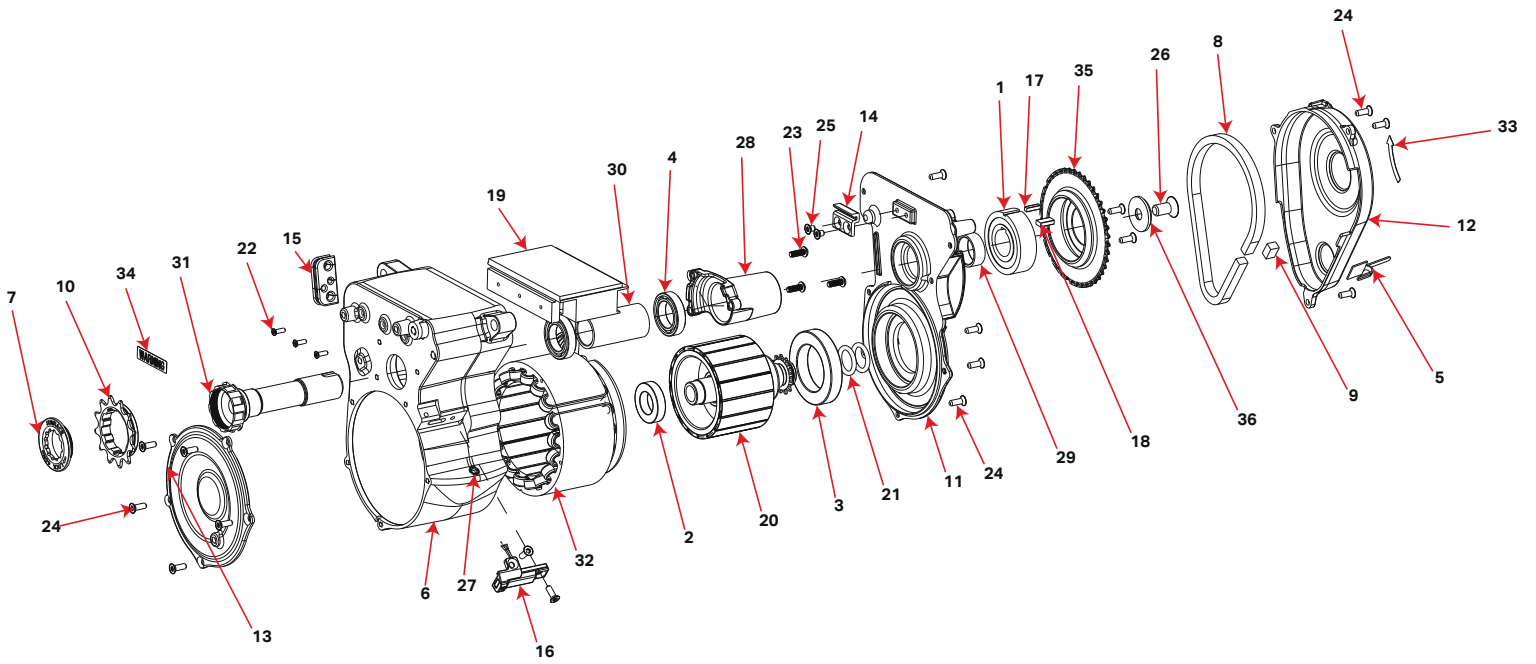
Powerplay BOM drivetrain				
#	QTY	ITEM	PART NO.	REVISION DESCRIPTION
			<b>1810010</b>	<b>SLIDER KIT</b>
2	1	AXLE, MID DRIVE	1457014	A MID DRIVE PULLEY AXLE, M11X1mm 40mm. AL7075-T6 HARD BLACK ANO
4	1	BOLT	1808136	NIL SOCKET HEAD CAP SCREW; M5X12
7	1	post	1999013	B 2019_powerplay_mid_slider_post
10	1	SLIDER, MID-DRIVE	1999003	G MID DRIVE SLIDER
			<b>1999010</b>	<b>LOWER MOTOR BRACE &amp; BASH MOUNT</b>
5	1	BOLT, M8X18	1807126	NIL BOLT M8 X 18MM CUSTOM. 6061 HARD BLACK ANO.
8	1	PULLEY CAP	3399003	NIL LOWER CHAIN GUIDE OUTER PLATE
9	1	SCREW, M4X20	1809011	NIL C'SUNK SOCKET SCREW, M4x20mm, STAINLESS STEEL 316
11	1	SPACER	3399006	NIL LOWER CHAIN GUIDE SPACER
12	1	SPACER, PULLEY GUIDE	1347013	A CHAINSTAY PULLEY GUIDE SPACER,
1	1	11t cog	1347012	A 11T cog, for 19mm bearing
3	1	BEARING	1807036	NIL ENDURO 698 LLU 19X8X6
			<b>1999056</b>	<b>TORQUE ARM ASSEMBLY - DYNAM 3</b>
13	1	TORQUE ARM ASSEMBLY	1999056	D TORQUE ARM ASSEMBLY - DYNAM 3
			<b>1998024</b>	<b>LOWER CHAIN GUIDE 34T</b>
1	1	11t cog	1347012	A 11T cog, for 19mm bearing
3	1	BEARING	1807036	NIL ENDURO 698 LLU 19X8X6
12	1	SPACER, PULLEY GUIDE	1347013	A CHAINSTAY PULLEY GUIDE SPACER,

Sold as a kit only. Individual part not sold separately



MY20

# Powerplay Motor Bom



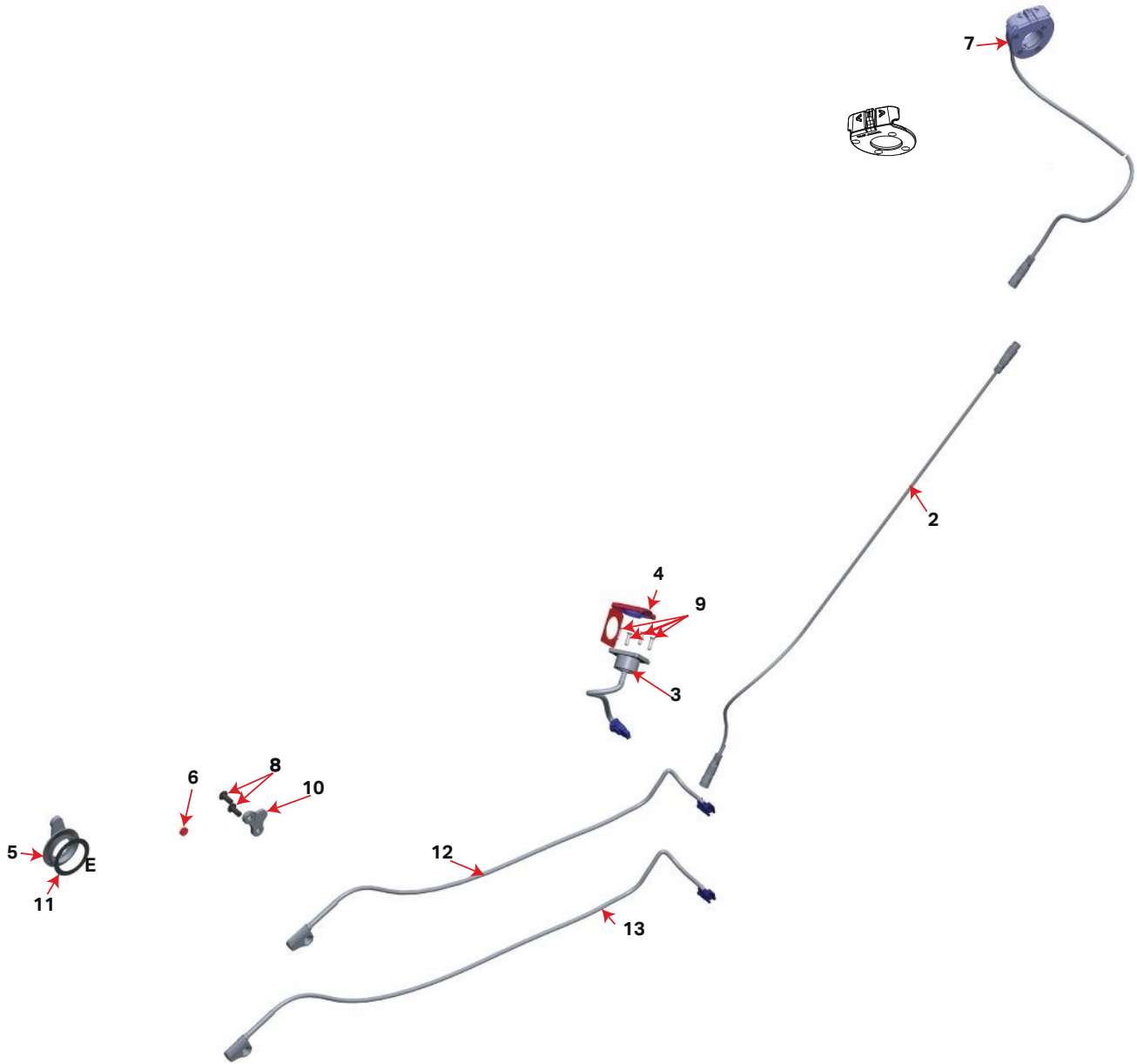
## Powerplay motor BOM

#	QTY	ITEM	Part No Chrissports	PART NO.	REVISION	DESCRIPTION
				<b>3998CBPP2018</b>		<b>REPLACEMENT KIT CB PP2018</b>
1	1	BEARING		1347004	A	CLUTCH BEARING CSK20PP
9	1	CHAIN LINK		1396007	NIL	MAILLE PATENTE TSUBAKI
17	1	KEY 3x3mm		1807074	D	KEY 3MM X 3MM
35	1	TRANSFER, 42T SPROCKET		1347007	A	TRANSFER SPROCKET 42T
26	1	SCREW, M8X16 TORX		1807118MMR		C'SUNK SOCKET SCREW, M8-1.25x16mm, TORX. stainless steel 10.9 w/blue loctite
				<b>3990CBPPUPGRADE</b>		<b>PP CLUTCH BEARING HEAVY DUTY KIT</b>
40	1	BEARING		1349004	A	CLUTCH BEARING CSK20PP STIEBER
43	1	CHAIN LINK		1396007	NIL	MAILLE PATENTE TSUBAKI
44	1	KEY 3x3mm		1807074	D	KEY 3MM X 3MM
41	1	TRANSFER, 42T SPROCKET		1347007	A	TRANSFER SPROCKET 42T
26	1	SCREW, M8X16 TORX		1807118MMR		C'SUNK SOCKET SCREW, M8-1.25x16mm, TORX. stainless steel 10.9 w/blue loctite
				<b>1810014</b>		<b>OUTPUT COG ASS'Y</b>
7	1	CASSETTE LOCKRING, 12T		1340008	NIL	SUNRACE CASSETTE LOCKRING, 39.50D - BLACK
10	1	COG, 12T		1347016	C	TRANSFER DRIVEN COG, 12T,
				<b>1977061PR</b>		<b>HALL EFFECT SENSOR KT PPLY MTB</b>
16	1	HALL EFFECT		1977061PR-		HALL EFFECT SENSOR KT PPLY MTB
				<b>1997092PR</b>		<b>TRANSFER CHAIN KIT</b>
8	1	TRANSFER CHAIN		1997092PR		TRANSFER CHAIN KIT
9	1	CHAIN LOCK				
21	2	O-RING				

Sold as a kit only. Individual part not sold separately

MY20

# Powerplay Bom Sensor

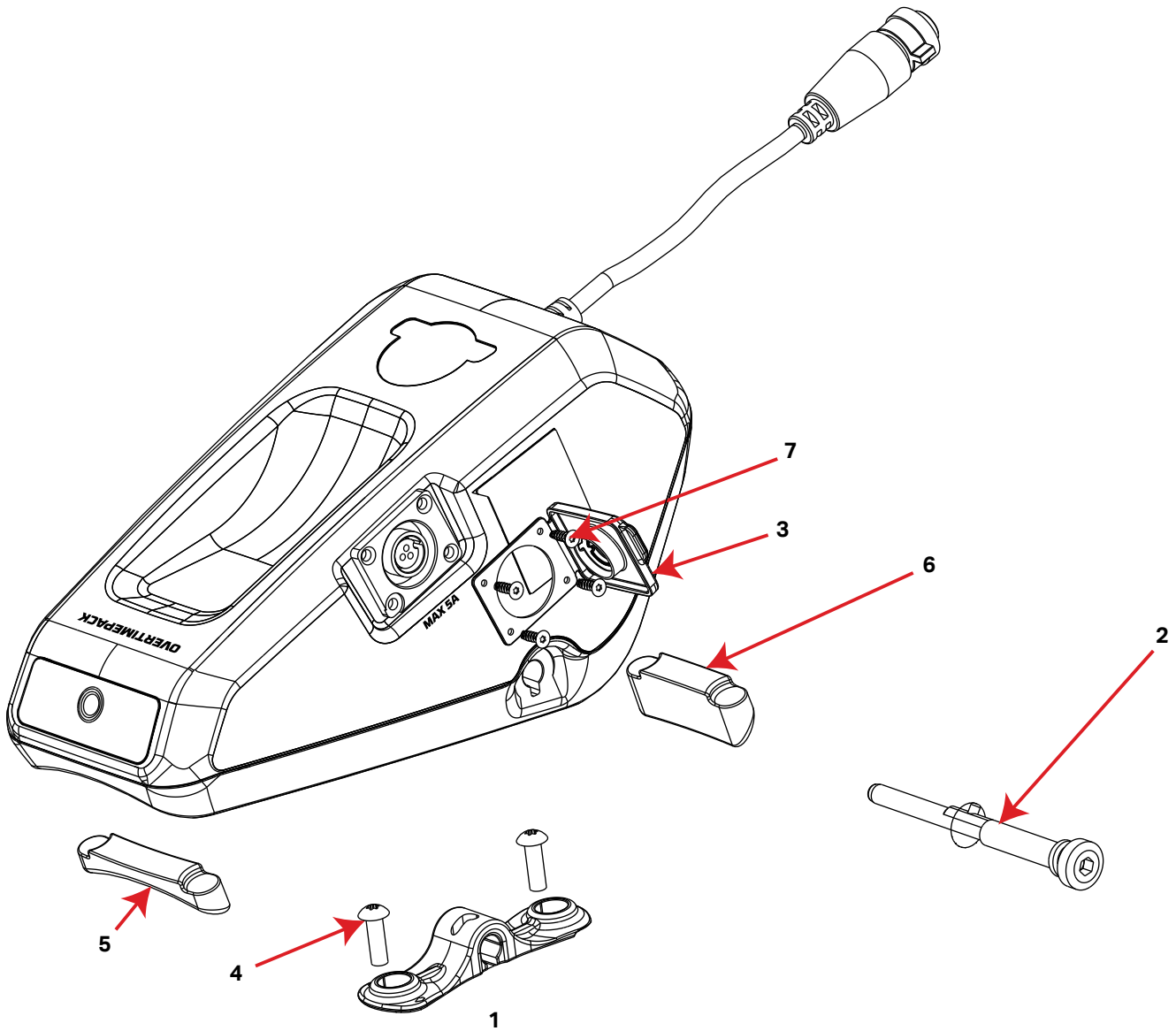


Powerplay BOM sensor				
#	QTY	ITEM	PART NO.	REVISION DESCRIPTION
7	1	REMOTE	<b>197011</b>	<b>IWOC TRIO REMOTE RMT+</b>
			<b>197011</b>	IWOC TRIO REMOTE RMT+
2	1	CABLE	<b>1977012</b>	<b>DOWN TUBE EXTENSION CABLE</b>
			1977012	NIL DOWN TUBE EXTENSION CABLE
12	1	SPEED SENSOR	<b>1977007</b>	<b>SPEED SENSOR WITH CLAMP</b>
			1977007	NIL SPEED SENSOR WITH CLAMP
3	1	CHARGE PORT	<b>1810011</b>	<b>CHARGE PORT KIT</b>
			1977005	NIL CHARGE PORT
4	1	CHARGE PORT COVER	1997079	B CHARGE PORT RUBBER CAP, BLACK RUBBER
9	4	SCREW, M3X12 TORX	1807117	NIL C'SUNK SOCKET SCREW, M3-0.5x12mm TORX, stainless steel w/blue loctite
5	1	LOCKRING	<b>1810012</b>	<b>SPEED SENSOR HOLDER ASSY CENTERLOCK (change desc)</b>
			1349007	C CENTERLOCK ROTOR SPEED SENSOR LOCKRING
11	1	SHIM	1349008	A LOCKRING SHIM
6	1	MAGNET	1997068	NIL SPEED SENSOR MAGNET
8	2	SCREW	<b>1998022</b>	<b>SPEED SENSOR HOLDER ASSY(change desc)</b>
			1808028	NIL DOME HEAD SCREW, M5X12MM, GRADE 10.9 STEEL, BLACK OXIDE, TORX
10	1	SENSOR	1997069	B SPEED SENSOR MAGNET HOLDER
6	1	MAGNET	1997068	NIL

Sold as a kit only. Individual part not sold separately

MY21

# Overtimepack



**2021 POWERPLAY OVERTIME PACK**

#	QTY	ITEM	PART NO.	REVISION	DESCRIPTION
			<b>1811022</b>		<b>CAM ROD ASSY</b>
2	1	CAM ROD	1801012		CAM ROD ASSY
			<b>1811019</b>		<b>ATTACH MOUNT KIT</b>
1	1	MOUNT	1991005		ATTACH MOUNT PLATE
4	2	SCREW	1801017		DOME HEAD SCREW, M5X16MM,BLACK OXIDE TORX
			1811020		RUBBER PAD KIT
5	1	RUBBER PAD	1991003		FRONT RUBBER PAD
6	1	RUBBER PAD	1991004		REAR RUBBER PAD
			1811021		CHARGE PORT PANEL KIT
3	1	CHARGE PORT COVER	1997079		CHARGE PORT RUBBER CAP, BLACK RUBBER
7	4	SCREW	1801021		SCREW PHILIPPS SS BLACK FINISH M3- 8MM LG